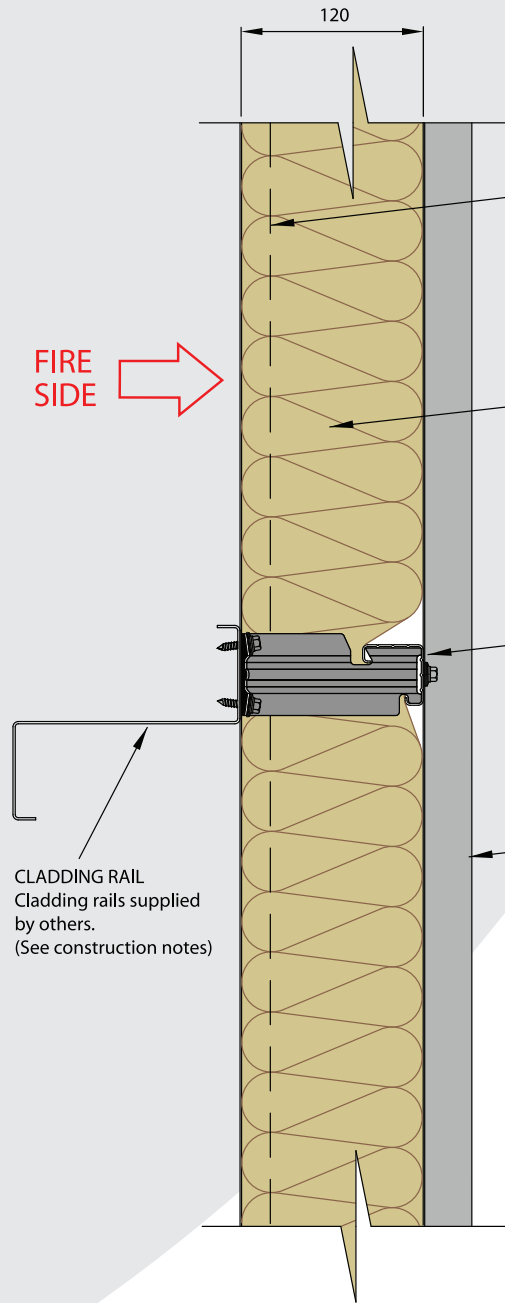


4 Hour Fire Rated Vertical Wall Cladding System (Rockwool) - 0.35 'U' Value

Fire Wall



SPECIFICATION

LINING PANEL  
0.40/0.70mm Quedron colour coated galvanised steel profiled sheet.

**ROCKWOOL**  
FIRESAFE INSULATION

INSULATION  
120mm thick Rockwool Cladding Roll compressed between internal sheet and spacer bar.  
(0.040W/mK Lambda value).

SPACER SYSTEM  
120mm deep Quedron spacer bar and bracket.  
Position brackets at 1m max centres.

EXTERNAL CLADDING  
0.50/0.70mm Quedron colour coated galvanised steel profiled sheet.



WFRC No. 141175 AR  
INTERNAL FIRE ASSESSMENT  
BS476 Part 22:1987 compliant  
Stability - 240 minutes  
Integrity - 240 minutes  
Insulation - 15 or 30 minute options

Note:  
Refer to page 28 for profile options and page 37 for profile specific system references and performance data.



**Q SYSTEM VRF 35**

This system has been designed for use as a non-load bearing external fire wall situated at least 1 metre away from a relevant boundary. Secured outside rail the construction incorporates Rockwool insulation and satisfies the criteria for 4 hours integrity (15 or 30 mins insulation) when assessed to comply with BS476 Part 22: 1987 in relation to internal fire exposure and installed in accordance with Approved Document B (Fire Spread) Building Regulations 2000.

CONSTRUCTION NOTES	
Structural Frame	To be protected using suitable materials providing a fire resistance period equal to the cladding system. Support cladding from suitable structural element, e.g: Fire rated eaves beam.
Cladding Rails	Supplied in shorter lengths than normal with slotted holes to facilitate expansion. Install in single span condition using 16mm diameter steel bolts with steel and plastic washers. Rail centres for cladding span not to exceed 2m.
Internal Lining	To meet 30 minute insulation period, stitch lining panel side laps at 300mm centres using steel rivets. e.g: TSPD 44 BS or equivalent.
Vapour Control Layer	Lining Panel - Seal side and end laps.
Insulation	Compress between lining panel and reverse face of spacer bar.
External Cladding	Where deemed necessary stitch side laps using 6.3mm diameter steel self drilling screws.

SYSTEM BENEFITS	
• Thermal Transmittance (Building Regulations Approved Document L2 compliant)	<0.35W/m <sup>2</sup> K
• Calculated Average Sound Reduction (weighed S.R.I Rw)	>38dB
• Internal Fire Spread Classification (Building Regulations Approved Document B2, BS476 Parts 6 and 7)	0 (Highest)
• Insulation Non-Combustibility Test (BS476 Part 4, Building Regulations Approved Document B4)	Non - combustible
• Air Permeability (Building Regulations Approved Document L2 compliant)	<10m <sup>3</sup> /hr/m <sup>2</sup> @ 50 Pa
• Design Flexibility/Bespoke systems	Available
• Ecological effect	Zero ODP
• Sustainability / Recyclability	Yes
• NBS Specifications	Available
• CAD Construction Specification	Available
• Profile CAD blocks	Available
• Material warranty	Up to 30yrs
• Recommended ancillary suppliers	Yes
• Recommended Installers	Yes

Fire Wall

**4 Hour Fire Rated Vertical Wall Cladding System (Rockwool) - 0.35 'U' Value**